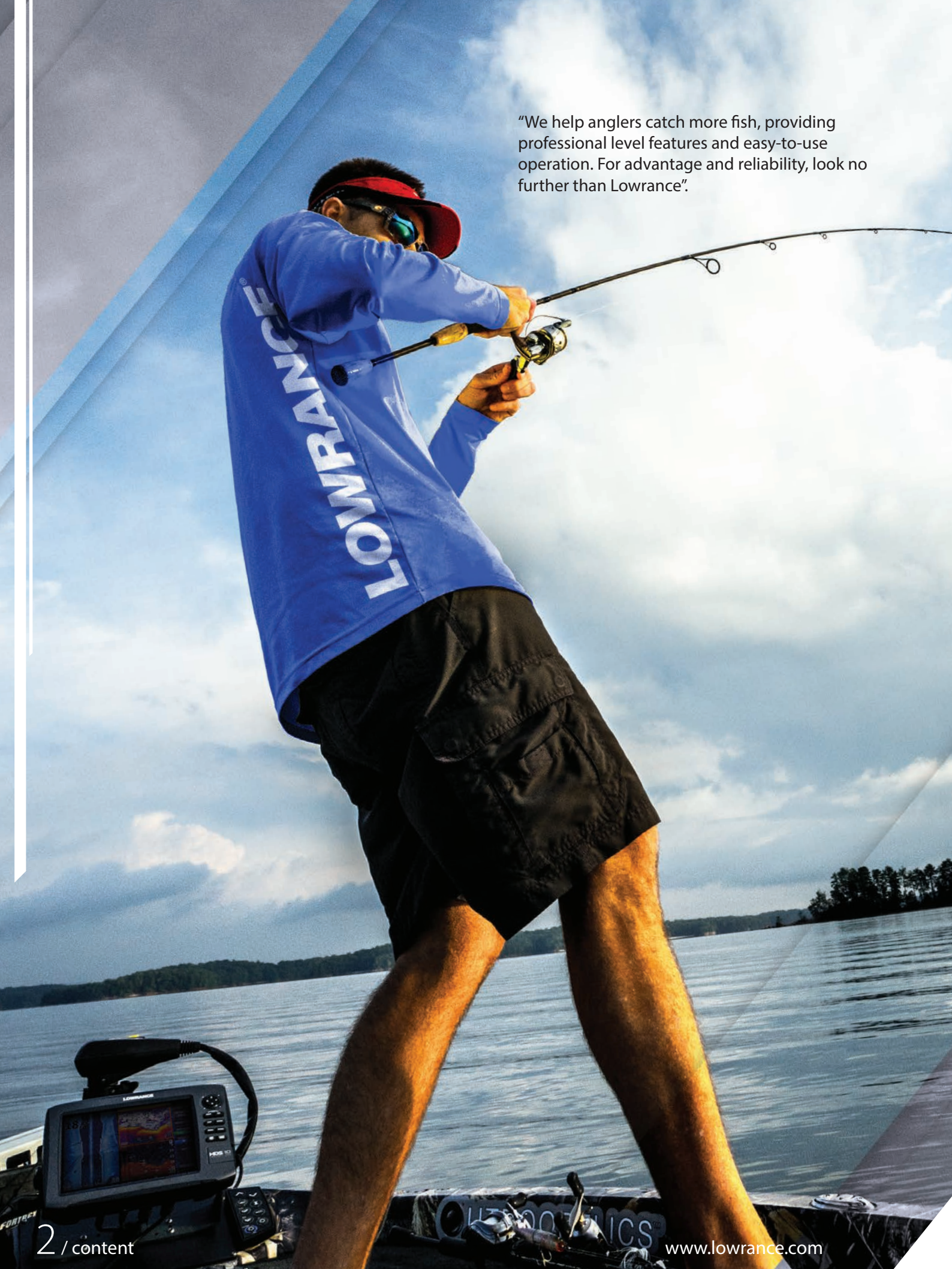


2016 **LOWRANCE**<sup>®</sup>



**FIND. NAVIGATE. DOMINATE.**

A man wearing a blue long-sleeved shirt with "LOWRANCE" printed vertically on the back, black shorts, a red visor, and sunglasses is fishing from a boat. He is holding a fishing rod that is bent, indicating a catch. The background shows a large body of water under a cloudy sky. In the foreground, a Lowrance fish finder is visible on the boat's console.

"We help anglers catch more fish, providing professional level features and easy-to-use operation. For advantage and reliability, look no further than Lowrance".



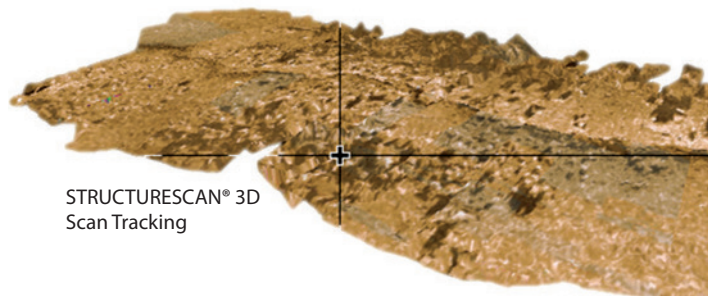
Products	04	New Featured Product
	06	HDS Gen 3 Series
	10	Elite Ti Series
	14	HOOK Series
	19	Ice and All-Season Series
	22	Mapping / Sonar Enhancements
	30	Transducers
Technology	08	StructureScan® 3D
	09	Autopilot Products
	20	GoFREE® Shop
	21	Insight Genesis®
	24	Networking
	26	Specifications

# CHOOSE YOUR **LOW**

## **HDS** For Anglers Who Want It All



# 3D STRUCTURESCAN<sup>®</sup>



STRUCTURESCAN<sup>®</sup> 3D  
Scan Tracking

# LOWRANCE® PRODUCT.



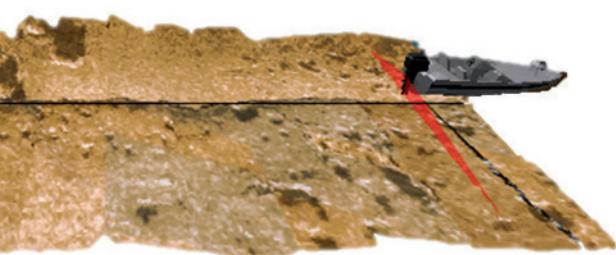
**ELITE Ti**  
For The Love Of Fishing



**HOOK** Any Angler, Anywhere

## **HDS** Exclusive

**StructureScan® 3D** is a new, unique imaging view that allows anglers to gain a better understanding of where fish and structure are located in relation to their boat. Powered by a multi-beam sonar technology, StructureScan 3D converts scans of underwater terrain and fish-holding structure into high-resolution, 180-degree, three-dimensional views. **StructureScan 3D works exclusively with the HDS Gen3 Series.**



# HDS<sup>®</sup> SERIES

The Lowrance<sup>®</sup> HDS Gen3 combines a brighter, multi-touch display and enhanced processor with leading-edge fishfinder technologies, including CHIRP Sonar, Broadband Sounder, optional StructureScan<sup>®</sup> 3D, StructureScan HD, DownScan Imaging<sup>™</sup> and Trackback<sup>™</sup> view. The Gen3 has dual microSD card slots, an internal 10Hz GPS antenna, the latest advances in always-reliable Lowrance navigation and integrated wireless connectivity. The industry-leading features and functions of Gen 3 are driven by an easy-to-use interface that allows you to operate the unit using the touchscreen, keypad or both.



**12"** HDS  Brilliant SolarMax<sup>™</sup> Display



**9"** HDS  Brilliant SolarMax<sup>™</sup> Display



**7"** HDS  Brilliant SolarMax<sup>™</sup> Display



Med/High/83/200kHz/LSS/Insight	000-11798-001	Med/High/83/200kHz/LSS/Insight	000-11793-001	Med/High/83/200kHz/LSS/Insight	000-11788-001
Low/High/50/200kHz/Insight	000-11796-001	Low/High/50/200kHz/Insight	000-11791-001	Low/High/50/200kHz/Insight	000-11786-001
Med/High/83/200kHz/Insight	000-11795-001	Med/High/83/200kHz/Insight	000-11790-001	Med/High/83/200kHz/Insight	000-11785-001
Med/High/83/200kHz/SScan 3D/Insight	000-12916-001	Med/High/83/200kHz/SScan 3D/Insight	000-12915-001	Med/High/83/200kHz/SScan 3D/Insight	000-12914-001
Insight, No transducer	000-11794-001	Insight, No transducer	000-11789-001	Insight, No transducer	000-11784-001

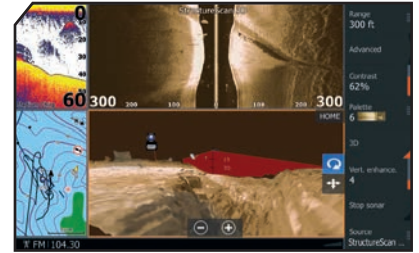
# HDS® ADVANTAGES

## EASE-OF-USE



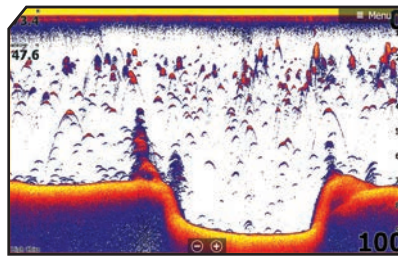
Lowrance® interface with multi-touch screen or full keypad control provides lightning-fast, fingertip access to all HDS® features.

## ADVANCED TECHNOLOGY



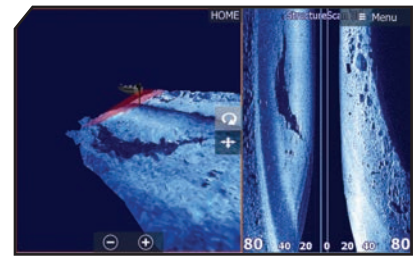
Today's best fishfinder technologies built in – CHIRP Sonar, StructureScan® 3D, StructureScan® HD, DownScan Imaging™, StructureMap™ and TrackBack™.

## CHIRP SONAR



Built-in CHIRP and Broadband Sounder™ for improved target separation and screen clarity. Detect individual targets, even when they are close to the bottom.

## STRUCTURESCAN® 3D



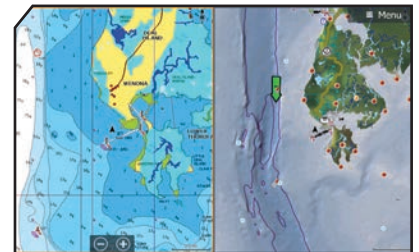
StructureScan 3D produces images with stunning detail by converting scans of underwater terrain and fish-holding structure into high-resolution, 180-degree, three-dimensional views.

## STAY CONNECTED



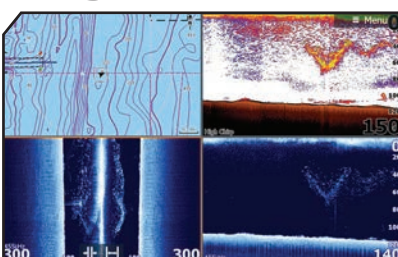
Integrated GoFree wireless allows you to view or control your HDS Gen3 via the GoFree control app, or download maps from the GoFree Shop to your display for immediate use.

## MULTI-VIEW/CHART SHARING



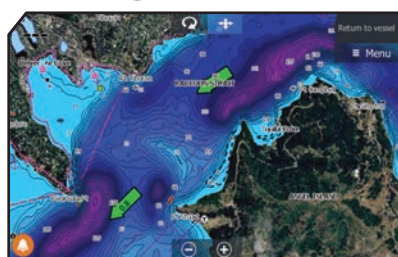
View any combination of compatible third-party mapping products. Lowrance Ethernet enables chart sharing across a network of HDS Gen3 units.

## FIND



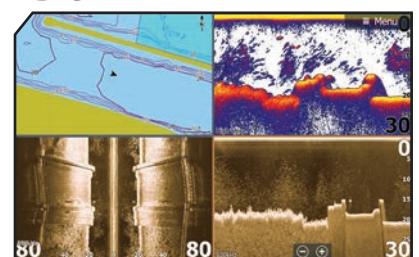
Unparalleled Lowrance® target separation and the industry's best view of fish holding near the bottom. View CHIRP Sonar and StructureScan® HD at the same time to get the best possible view.

## NAVIGATE



Internal 10Hz GPS antenna for accurate positioning, StructureMap™ overlay and the choice of cartography from C-MAP™ or Navionics®, plus the ability to create personalized maps with Insight Genesis™.

## DOMINATE



Manage all your boat's technology – from sonar, GPS and radar to autopilot, NMEA 2000® network devices and wireless connectivity.



# STRUCTURESCAN®

StructureScan® 3D allows anglers to see fish, structure and bottom contour in a stunning three-dimensional view. StructureScan® 3D imaging scans underwater terrain and fish-holding structure to create a high-resolution, 180-degree, three-dimensional view beneath your boat. With this unique imaging view, anglers gain a better understanding of where fish and structure are located in relation to their boat. StructureScan 3D works exclusively with HDS Gen3 series displays.

## EXCLUSIVE benefits

### Easy-to-Understand Sonar Images

You can view 3D images from any angle with ScanTrack™ pan-tilt-rotate control by using on-screen touch commands and easy-to-use, preset viewing positions.

### Find Key Fishing Areas Faster

StructureScan® 3D allows anglers to more easily understand where fish and fish-holding structure are located in relation to their boat.

### SelectScan Target Identification

SelectScan™ automatically shades fish-holding cover and suspended targets in a color that contrasts the selected color palette, making target identification quicker and easier than ever before.

### Unrivaled SideScan Image Clarity

To ensure the clearest possible SideScan views, the StructureScan® 3D transducer design has been enhanced with an increased number of sensors for greater imaging performance.

### High Definition (HD) and Super-Wide 3D Scanning

The contours below the water's surface can be shown to the sides of the boat up to 600 feet port and starboard with incredibly detailed, high-definition views. StructureScan® 3D provides multiple views, including enhanced two-dimensional DownScan Imaging™ and StructureScan® HD.

### Leading Edge™ Scanning Reference

The Leading Edge™ scanning reference provides a clear graphical illustration of sonar beams as they intersect with bottom contours. The depth and range of the most recently scanned area are shown as contrasting colored fan-shaped markers directly under the boat.



StructureScan 3D Transducer and Module

000-12395-001



	Outboard Pilot	Xi5	PowerPole™
Gen3	X	X	X
Elite Ti			X
HOOK			

# OUTBOARDpilot

Everything you need in one box to fit an autopilot to your outboard motor. When connected to a compatible HDS® unit, the Outboard Pilot can steer to a waypoint or along a route, select a turn pattern or simply hold a constant heading.



Outboard pilot hydraulic pack	000-11748-001
Outboard pilot cablesteer pack	000-11749-001
WR10 Wireless Controller	000-12316-001



SmartSteer™ Outboard Pilot Auto Mode



SmartSteer™ Outboard Pilot Controls



SmartSteer™ Outboard Pilot Modes



SmartSteer™ Outboard Pilot Turn Patterns

# PINPOINTgps

MotorGuide® and Lowrance® have brought their leading trolling motor, GPS navigation, and fishfinder/chartplotter technologies together to bring anglers a new level of functionality and boat control. This seamlessly integrated technology package is sure to open up exciting new fishing strategies for anglers everywhere. Anchor, Jog, Heading Lock, Route Record/Playback and Cruise Control can be operated from a compatible HDS® display. Plot a course or recall a route at the desired depth or structure. Pinpoint® GPS Gateway Kit (8M0092085) available where MotorGuide Xi5 trolling-motors are sold.

# SMARTsteer®

The Lowrance® SmartSteer® user interface allows you to easily switch between electric-steer, trolling-motor control and outboard motor control directly from your HDS® display. And, with your HDS® display, you can easily convert trails to routes – so you can retrace a previous track and get your boat back to the dock from your fishing area.

# POWERPOLE® anchors

You can use the built-in wireless connectivity of HDS Gen3 and Elite-Ti displays to control one or more Power Pole® Shallow Water anchors equipped with the C-Monster™ Control System. Enjoy independent or simultaneous control of multiple power poles and make manual or automatic up/down adjustments directly from your touchscreen.



# ELITE Ti SERIES

Easy To Use With Great Performance

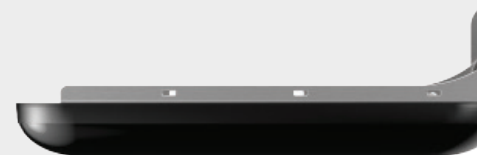


ELITE Ti

NEW

## TotalScan™ Transducer

Add the TotalScan transducer to your Elite-Ti system and get all your sonar technology in one package. TotalScan matches proven Broadband Sounder™ and CHIRP sonar with SideScan and DownScan Imaging™ technology, making it possible to target fish and search for fish-holding structure with the same transducer.





The Lowrance® Elite Ti series – featuring Elite-7Ti and Elite-5Ti touchscreen fishfinder/chartplotters – matches high-end features with powerful performance at an affordable price. Elite-Ti units have integrated wireless connectivity, proven Lowrance navigation and high-performance sonar. Sporting a high-resolution SolarMAX™ touchscreen display, the Elite Ti series has your sonar needs covered with Trackback™, StructureScan® HD compatibility and support for Low/Med/High CHIRP and 50/83/200 /455/800kHz frequencies.



ELITE 5Ti

NEW



### Elite-7Ti Key Features

- 7" high-resolution, widescreen, LED-backlit SolarMax™ color display
- Simple, easy-to-use interface
- Touchscreen provides fast, fingertip access to all Elite-7 Ti features
- NMEA 2000® networking compatibility
- Supports SmartSteer™ control of MotorGuide® Xi5 trolling motors
- Top-of-the line sonar technologies provide the best possible view of the environment beneath your boat (StructureScan® requires optional TotalScan™ transducer.)
- Review sonar and structure history with TrackBack™
- Highly accurate, built-in 10Hz GPS antenna with detailed U.S. map and support for WAAS+EGNOS+MSAS
- Built-in wireless connectivity provides access to the GoFree™ Cloud where you can shop, purchase, download and immediately use Insight maps, and third-party maps from GoFree partners
- Optional Americas chart upgrades include Lake Insight™, Nautic Insight™ PRO and HD, Navionics HotMaps® Premium and Fishing Hotspots® PRO. Global chart upgrade options include Navionics + and Jeppesen C-MAP MAX-N

**7"** **ELITE 7Ti**  
High-Bright SolarMax™  
LED Backlit Display

Elite-7Ti Med/High/83/200kHz/StructureScan	000-12419-001
Elite-7Ti Med/High/83/200kHz/DownScan Imaging™	000-12417-001
Elite-7Ti Med/High/83/200kHz/TotalScan NAV+	000-12721-001
Elite-7Ti Med/High/83/200kHz/DownScan Imaging™ NAV+	000-12699-001
Elite-7Ti No transducer NAV+	000-12700-001
Elite-7Ti No transducer	000-12416-001

# ELITE Ti SERIES



## Elite-5 Ti Key Features

- 5" high-resolution, LED-backlit SolarMax™ color display
- Simple, easy-to-use interface
- Touchscreen provides fast, fingertip access to all Elite-5 Ti features
- Top-of-the line sonar technologies provide the best possible view of the environment beneath your boat (StructureScan® requires optional TotalScan™ transducer.)
- Review sonar and structure history with TrackBack™
- Highly accurate, built-in 10Hz GPS antenna with detailed U.S. map and support for WAAS+EGNOS+MSAS
- Built-in wireless connectivity provides access to the GoFree™ Cloud where you can shop, purchase, download and immediately use Insight maps, and third-party maps from GoFree partners
- Optional Americas chart upgrades include Lake Insight™, Nautic Insight™ PRO and HD, Navionics HotMaps® Premium and Fishing Hotspots® PRO. Global chart upgrade options include Navionics + and Jeppesen C-MAP MAX-N

**5"** ELITE 5Ti  
High-Bright SolarMax™  
LED Backlit Display

Elite-5Ti Med/High/83/200kHz/StructureScan	000-12423-001
Elite-5Ti Med/High/83/200kHz/DownScan Imaging™	000-12421-001
Elite-5Ti Med/High/83/200kHz/TotalScan Nav+	000-12720-001
Elite-5Ti Med/High/83/200kHz/DownScan Imaging™ Nav+	000-12697-001
Elite-5Ti No Transducer Nav+	000-12698-001
Elite-5Ti No Transducer	000-12420-001

Essential Features at a Great Value

# HOOK SERIES



**NEW**

The Lowrance® **HOOK** series includes fishfinders and chartplotters that offer proven features at a great value without compromising the quality anglers have come to expect from Lowrance.

Easy to use and powered by proven fish-finding capability, the HOOK series combines the benefits of CHIRP Sonar and DownScan Imaging™ technology to give you a clear and complete view of the underwater environment beneath your boat. With a built-in high sensitivity GPS antenna and trusted Lowrance navigation features, revisiting your favorite fishing spot is simple whether you use the base map, optional high-definition chart upgrades, or your own Insight Genesis® custom maps.

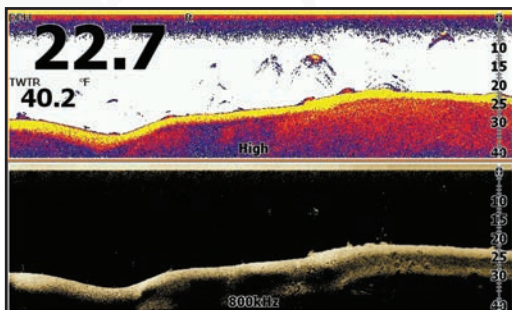


**HOOK7**  
**NEW**

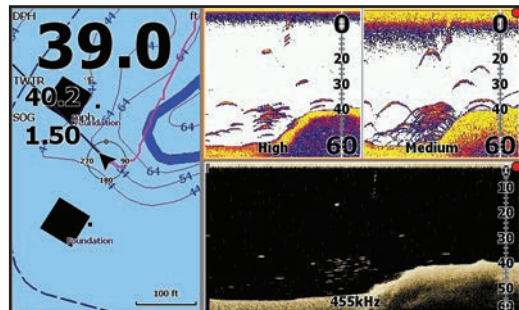
**CHIRPADVANTAGES**

CHIRP sonar uses multiple frequencies at once, allowing anglers to see fish targets better than ever before. Individual game fish are now more easily identified in or around bait schools, and game fish are more easily seen when holding near structure or the bottom.

You also get the clear benefit of a clutter-free display. And, all of these advantages are available whether you're fishing an inland lake, or off the coast on a deeper saltwater trip.



CHIRP sonar plus DownScan Imaging™ Splitscreen



View chartplotter, High CHIRP, Med CHIRP and DownScan Imaging™ together

# HOOK SERIES



**NEW**

## HOOK-5 / HOOK-4 Key Features

- Lowrance® exclusive, brilliant, high-resolution, 5-inch, and 4-inch color displays
- CHIRP Sonar plus DownScan Imaging™ – the power of today's leading fishfinder technologies combined to provide the best possible view beneath your boat
- Highly accurate, built-in GPS antenna, plus a detailed U.S. map featuring more than 3,000 lakes and rivers and coastal contours
- Optional Americas chart upgrades include Lake Insight™ and Nautic Insight™ PRO and Navionics HotMaps® Premium and Fishing Hotspots® PRO. Global chart upgrade options include Navionics + and Jeppesen C-MAP MAX-N
- Use Insight Genesis® custom maps created from your own sonar logs
- DownScan Overlay™ technology overlays DownScan Imaging onto CHIRP Sonar
- Advanced Signal Processing (ASP™) reduces the need to manually adjust settings to see fish, structure and bottom detail more clearly
- TrackBack™ to review recorded sonar history including structure, transitions or fish targets, then pinpoint locations with a waypoint

**5"** HOOK<sup>5</sup>  
High-Bright SolarMax™  
LED Backlit Display

**4"** HOOK<sup>4</sup>  
High-Bright SolarMax™  
LED Backlit Display

HOOK-5x Med/High/83/200kHz/DownScan Imaging™	000-12653-001	HOOK-4 Med/High/83/200kHz/DownScan	000-12647-001
HOOK-5 Med/High/83/200kHz/DownScan Imaging™	000-12656-001	HOOK-4x Med/High/83/200kHz/DownScan	000-12641-001
HOOK-5 Med/High/83/200kHz/DownScan Imaging™ USCAN NAV+	000-12657-001	HOOK-4 Med/High/83/200kHz/DownScan USCAN NAV+	000-12649-001
HOOK-5 No Transducer	000-12655-001		





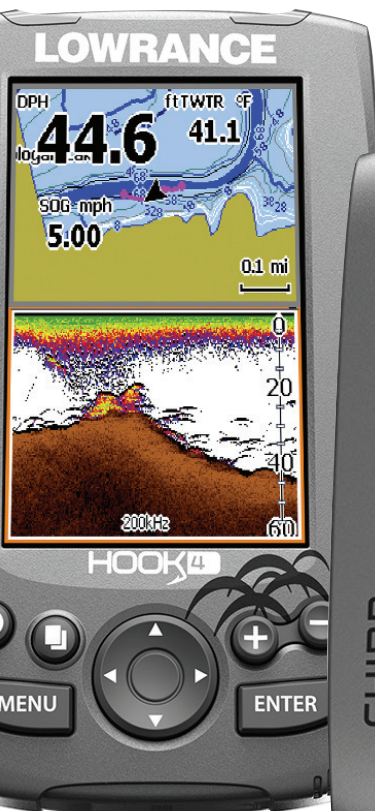
### HOOK-9 / HOOK-7 Key Features

- High-definition 9 & 7-inch, widescreen color display
- CHIRP Sonar plus DownScan Imaging™ – the power of today's leading fishfinder technologies combined to provide the best possible view beneath your boat
- Highly accurate, built-in GPS antenna plus a detailed U.S. map featuring more than 3,000 lakes and rivers and coastal contours
- Optional Americas chart upgrades include Lake Insight™ and Nautic Insight™ PRO and Navionics HotMaps® Premium and Fishing Hotspots® PRO. Global chart upgrade options include Navionics + and Jeppesen C-MAP MAX-N
- Use Insight Genesis® custom maps created from your own sonar logs
- DownScan Overlay™ technology overlays DownScan Imaging onto CHIRP Sonar
- Advanced Signal Processing (ASP™) reduces the need to manually adjust settings to see fish, structure and bottom detail more clearly
- TrackBack™ to review recorded sonar history including structure, transitions or fish targets, then pinpoint locations with a waypoint
- microSD card slot

### 7" HOOK-7 High-Bright SolarMax™ LED Backlit Display

### 9" HOOK-9 High-Bright SolarMax™ LED Backlit Display

HOOK-7X Med/High/83/200kHz/DownScan Imaging™	000-12660-001	HOOK-9 Med/High/83/200kHz/DownScan Imaging™	000-12670-001
HOOK-7 Med/High/83/200kHz/DownScan Imaging™	000-12664-001	HOOK-9 Med/High/83/200kHz/DownScan Imaging™ NAV+	000-12667-001
HOOK-7 Med/High/83/200kHz/DownScan Imaging™ NAV+	000-12666-001	HOOK-9 No Transducer	000-12668-001
HOOK-7 No Transducer NAV+	000-12665-001		
HOOK-7 No Transducer	000-12663-001		



# HOOK SERIES

## HOOK-3x and HOOK-3xDSI

The HOOK-3x and HOOK-3x DSI fishfinders give new meaning to value and affordability. The HOOK-3x has 83/200kHz Broadband Sounder™ with Advanced Signal Processing (ASP™), excellent target separation and superior noise rejection, making it easier to see baitfish and gamefish targets. With HOOK-3x DSI, you get picture-like views of underwater terrain and fish-holding structure, powered by dual frequency (455/800kHz) DownScan Imaging™ technology.



### HOOK-3x Key Features

- LED-backlit 3.5-inch color display with detailed 320 x 240 resolution
- Simple, easy-to-use interface
- Advanced Signal Processing (ASP™) reduces the need to manually adjust settings to see fish, structure and bottom detail more clearly
- Dual-frequency 83 or 200 kHz operation helps maximize the view beneath your boat

**3.5"** HOOK-3x  
High-Bright SolarMax™  
LED Backlit Display

HOOK-3X 83/200

000-12635-001

### HOOK-3x DSI Key Features

- LED-backlit color display with detailed 320 x 240 resolution
- Simple, easy-to-use interface
- DownScan Imaging™ view with dual-frequency 455 or 800 kHz operation reveals easy-to-understand, underwater detail of fish-holding structure
- Patented DownScan Imaging™ transducer design can track bottom up to 55mph

**3.5"** HOOK-3xDSI  
High-Bright SolarMax™  
LED Backlit Display

HOOK-3X DSI 455/800

000-12636-001



# HOOK ICE MACHINES



## HOOK-5 Ice Machine

The Hook-5 Ice Machine uses CHIRP Sonar technology to give you a complete view of the underwater environment beneath the ice. It comes with a portable ice-fishing pack with transducer and features enhanced sonar sensitivity, excellent target separation and superior noise rejection, making it easier to see baitfish and gamefish targets – all at an affordable price.



**5"** HOOK<sup>5</sup>  
High-Bright SolarMax™  
LED Backlit Display

HOOK-5x Med/High/83/200kHz/ Ice Machine

000-12654-001

## HOOK-4 Ice Machine

The Lowrance® Hook-4 Ice Machine is a compact, feature-filled fishfinder that comes with a portable ice-fishing pack and transducer, all at an affordable price. It features a high-resolution color display, CHIRP sonar, built-in GPS antenna and top-of-the-line navigation features driven by a simple, easy-to-use interface.

**4"** HOOK<sup>4</sup>  
High-Bright SolarMax™  
LED Backlit Display

HOOK-4x Med/High/83/200kHz/ Ice Machine

000-12643-001

HOOK-4 Med/High/83/200kHz/Ice Machine

000-12650-001



## HOOK-3x All-Season Pack

The ultimate electronics accessory for year-round fishing success, the Hook-3x All Season Pack is a convenient and affordable fishing solution that has got you covered whether you are fishing from a small boat, or from a stationary location, like ice or a dock.

**3.5"** HOOK<sup>3x</sup>  
High-Bright SolarMax™  
LED Backlit Display

HOOK-3x All Season Pack 83/200

000-12638-001



# GOFREE™

GoFree™ is powering the digital marine ecosystem with offerings like GoFree Shop, GoFree Hooked and GoFree Controller apps. With GoFree, anglers can upload and download maps and update software directly from their fishfinder / chartplotter utilizing the built-in wireless connectivity and GoFree Cloud capability of HDS Gen3 and Elite Ti units.



## GoFree Shop

GoFree Shop is a one-stop shop for marine-mapping needs that gives boaters the capability to download purchases or Insight Genesis custom maps to a personal computer or directly to a HDS Gen3 or Elite-Ti unit, for immediate use. Visit [gofreeshop.com](http://gofreeshop.com) to learn more.

## GoFree Hooked App

GoFree Hooked™ is a free fishing app for freshwater and saltwater anglers that allows you to challenge friends, family or anglers from the global GoFree Hooked user community to participate in a real-time competition, and then follow the results via a live in-app leaderboard. GoFree Hooked is compatible with Android and IOS smartphones. Visit [gofreehooked.com](http://gofreehooked.com) for more information. Available Spring 2016.

## GoFree Controller App

The GoFree Controller app allows you to view and/or control HDS Gen3 or Elite-Ti units from a smartphone or tablet. The controller app is compatible with Android and IOS devices.



## Insight Genesis™ Fish More Search Less

With a free GoFree account, your recorded sonar logs can automatically create maps with amazing detail and one-foot contours that show key fish-holding areas for greater success on the water.

You can also take advantage of the Insight Genesis™ Social Map layer functionality, by downloading free custom maps submitted by other members of the Insight Genesis™ community. Sign up now at [insightgenesis.com](http://insightgenesis.com).



### A Simple Three-Step Process



### Benefits of Insight Genesis™

- Transform your sonar log into free custom maps
- View, Download & Contribute to online Social Map water bodies across the globe
- Customize maps with 1-, 3-, 5- or 10-foot blue-shaded contours
- Unlimited map creation, upload, viewing & storage of all your trips' history
- Merge multiple sonar logs into a single map
- Compatible with all Lowrance HDS Gen 2/3, Elite and HOOK Chartplotters

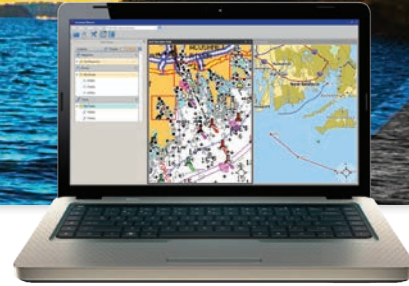
### Insight Genesis™ Premium Subscription Features:

- View and Download Vegetation and Bottom Hardness map overlays
- Highlight depth ranges with custom colors on HDS Gen 2/3 and Elite-Ti
- Option to merge maps with Social Map or keep them private



## Insight Planner™ PC Software

The ultimate PC navigational planning software to seamlessly plan, transfer routes, waypoints and POIs. Available for immediate download at [gofreeshop.com](http://gofreeshop.com)



INSIGHT PLANNER SCRATCH CARD

000-11092-001

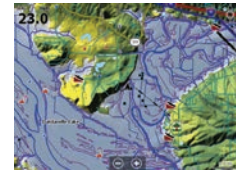
## Lake Insight™ PRO & HD

Lake Insight maps offer high-detail mapping of US inland lakes with detailed fishing and navigation information.

**Lake Insight PRO** • All of the lower 48 states on a single card - More than 9,000 lakes with depth contours (more than 3,000 lakes with 1-3' contours)

**Lake Insight HD** • Includes all PRO features • 1 meter aerial imagery on the chip • Custom Depth Shading • 2,400+ lakes with high definition, 1'-3' contours • 4,800+ lakes with standard definition, 3'-10' contours

LAKE INSIGHT™ HD EAST v16	000-12594-001
LAKE INSIGHT™ HD WEST v16	000-12595-001
LAKE INSIGHT™ PRO v16	000-12596-001



## Nautic Insight™ PRO & HD

Nautic Insight maps provide detailed navigation and fishing information for US coastal and offshore areas.

**Nautic Insight PRO** • All of the lower 48 states, Alaska, Hawaii, and the Caribbean on a single card • Updated electronic navigational charts and marine protected areas

**Nautic Insight HD** • Includes all PRO features • HD East - Coastal mapping of the Eastern US, including the Great Lakes, Bahamas, Caribbean and Bermuda • HD West - Coastal mapping of the Western US, including Alaska and Hawaii • Updated fishing hotspots • 3D perspective view improves situational awareness • 20 more levels of high-definition shaded relief imagery beyond the built-in Insight USA charts

NAUTIC INSIGHT™ HD EAST v16	000-12597-001
NAUTIC INSIGHT™ HD WEST v16	000-12598-001
NAUTIC INSIGHT™ PRO v16	000-12599-001



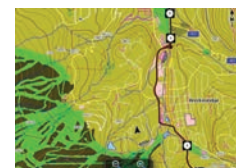
## Topo Insight™ PRO & HD

Topo Insight maps are used for all-terrain vehicles for off-road navigation.

**Topo Insight PRO** • Easy-to-understand off-road maps with improved roadwork detail and color-palette selections, based on 1:24k source data with 30-foot topographic contours.

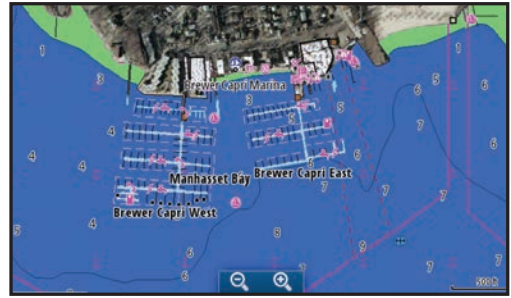
**Topo Insight HD** • High-definition off-road maps, based on satellite imagery from the U.S. Geological Survey with resolution down to 8m and exceptional 3D land elevations.

TOPO INSIGHT™ PRO EAST v14	000-11271-001
TOPO INSIGHT™ PRO WEST v14	000-11272-001
TOPO INSIGHT™ HD SOUTHWEST v14	000-11273-001
TOPO INSIGHT™ HD NORTHWEST v14	000-11274-001
TOPO INSIGHT™ HD N CENTRAL v14	000-11275-001
TOPO INSIGHT™ HD MIDWEST v14	000-11276-001
TOPO INSIGHT™ HD NORTHEAST v14	000-11277-001
TOPO INSIGHT™ HD SOUTHEAST v14	000-11278-001
TOPO INSIGHT™ HD S CENTRAL v14	000-11279-001



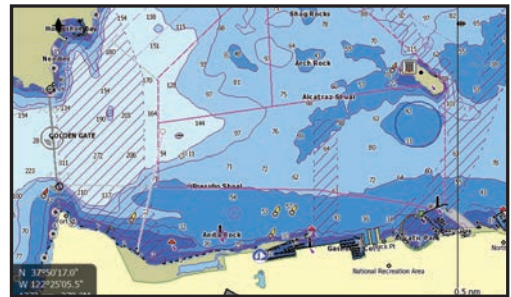
# MAPPING

Lowrance supports a large variety of third-party mapping products, including key partners C-MAP and Navionics®.



## C-MAP MAX-N+ (WIDE AND LOCAL)

C-MAP MAX-N+ 2015 is packed with features that enhance any boating lifestyle, including Dynamic Raster Charts, High-Resolution Bathymetric charts, Sportfishing Data, Tides and Currents and Custom Depth Shading that allows sailors and anglers to select the colors used for different depths. MAX-N+ charts are compatible with HDS Gen3 and Elite-Ti chartplotters. Includes a GoFree Premium account.

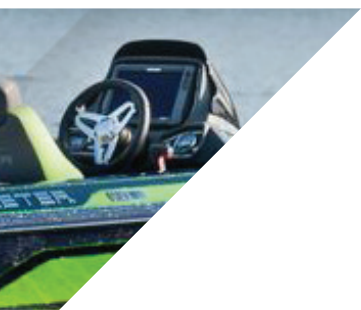


## C-MAP MAX-N (WIDE AND LOCAL)

C-MAP MAX-N cartography gives Lowrance customers access to accurate, up-to-date C-MAP chart data trusted by navigators around the globe. C-MAP MAX-N opens up a new world of performance for cruisers, sailors and fishermen, providing the detail, advanced features and coverage to fuel every boating adventure. C-MAP MAX-N charts are compatible with HOOK series chartplotters. Includes a GoFree Premium account.



Lowrance® gives a greater dimension in charting selections for all HDS®, Elite™ Ti and HOOK™ chartplotters with Navionics® – the world's largest and most experienced provider in worldwide electronic marine cartography. Navionics charts offer optional high-definition layers, including 3D, Satellite Overlay, Panoramic Port Pictures, Dynamic Tides & Current, and much more.



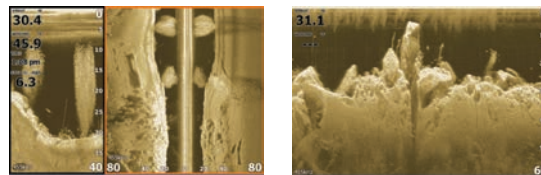
# SONAR ENHANCEMENTS

## StructureScan® HD



### SONAR IMAGING

- Sonar-imaging solution with dedicated side and down-looking views for the best possible picture around and below your boat
- Plug-and-play compatibility with HDS® Gen2/3
- Transom-mount and thru-hull transducer options
- Network up to three Ethernet devices from one LSS-2 module

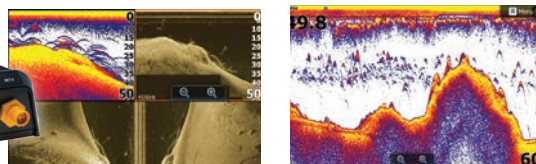


LSS-2 StructureScan™ HD w/ Transducer (incl Skimmer®)	000-10800-001
LSS-2 Module Only (no Transducer)	000-10801-001
Stainless Steel Thru-Hull Transducer (Single)	000-11459-001
Stainless Steel Dual Thru-Hull Transducer (Pair)	000-11460-001
Skimmer® Transducer	000-10802-001
Plastic Thru-Hull Transducer	000-11029-001

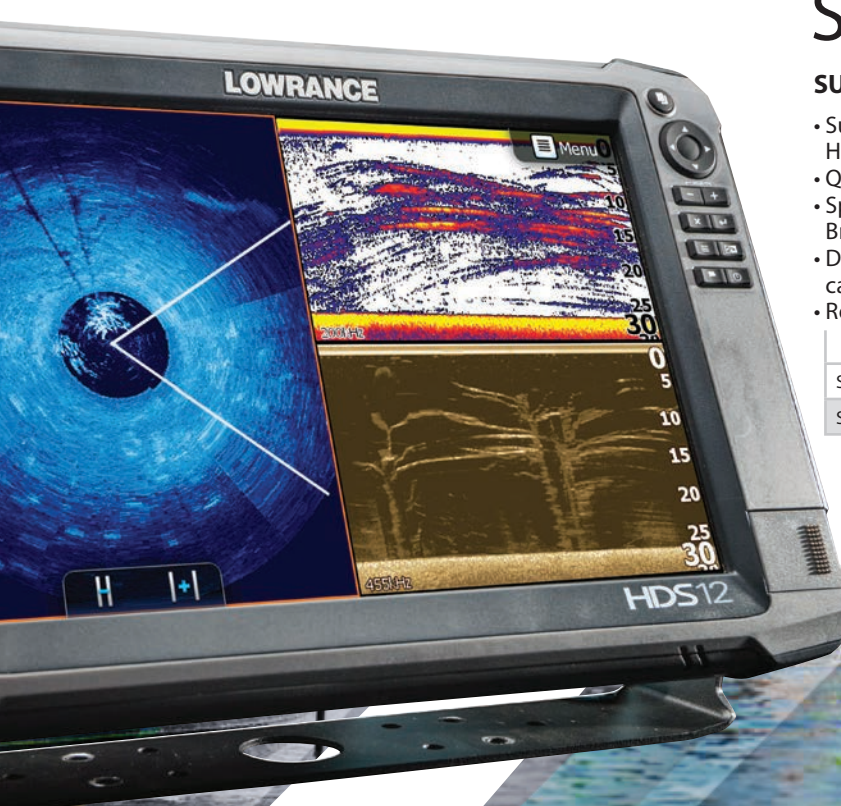
## SonarHub™ Module

### CHIRP/IMAGING SONAR

- Combines StructureScan® HD with single-channel CHIRP sonar
- CHIRP sonar with AIRMAR® TM150 transducer provides improved target resolution and noise rejection
- StructureScan HD offers best-in-class, side-scanning range and resolution, plus DownScan Imaging™
- Compatible with SpotlightScan™ surround-scanning sonar transducer\*
- Three built-in Ethernet ports allow for quick and convenient networking without the need for Network Expansion Port



SonarHub™ Module Only	000-11142-001
SonarHub™ with TM150 Transducer	000-11300-001
SonarHub™ with LSS-2 HD Transducer	000-11141-001
SonarHub™ with TM150 and LSS-2 Transducers	000-11301-001
AIRMAR® TM150 Transom Transducer	000-11302-001
SonarHub™ with SpotlightScan™ Transducer	000-11304-001



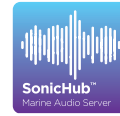
## SpotlightScan™



### SURROUND-SCAN SONAR

- Surround-scan imaging for your HDS® Gen3, HDS® Gen2 Touch or HDS® Gen2 display
- Quickly identify key fishing areas before you make the first cast
- SpotlightScan™ transducer also features DownScan Imaging™ and Broadband Sounder™ for the best possible view beneath your boat
- Do-it-yourself, bow-mount installation for foot-control, cable-steer trolling
- Requires a NMEA 2000® network for installation

SpotlightScan™ Trolling Motor Transducer	000-11303-001
SonarHub™ / SpotlightScan™ Transducer Bundle	000-11304-001



## SonicHub<sup>®</sup>2 Marine Audio

The ultimate marine audio entertainment system, the Lowrance<sup>®</sup> SonicHub2 features integrated Bluetooth<sup>®</sup>, allowing you to stream music including Pandora<sup>®</sup> (where available) from a smartphone or tablet. The system supports AM/FM radio, playback from a USB drive or iPod and features SiriusXM<sup>®</sup> radio (US only) connectivity – all with full control from your HDS display.

SonicHub2 With 2 Speakers	000-12301-001
SonicHub2 - Module Only	000-12302-001
Lowrance Marine Speakers	000-12304-001

## WM-3 SiriusXM<sup>™</sup> Satellite Weather (US)



Bring the power of an entire weather bureau to your Lowrance<sup>®</sup> HDS<sup>®</sup> Gen3<sup>®</sup>, including weather radar, forecasts, weather warnings and roadside fuel prices, plus up to 220 expanded audio channels — all controlled directly from your multifunction display. Real-time Sirius marine weather features overlay right to your chartplotter display. NOWrad<sup>™</sup> weather radar tracks storm cells on your chart screen, including Canadian weather radar information.



WM-3 SiriusXM <sup>™</sup> Module	000-11076-001
-----------------------------------	---------------

## Link-8 DSC VHF Radio/Handheld GPS



The Link-8 and -5 fixed-mount, Class D DSC VHF system has packed all of the best safety features into a compact, IPX7 water-proof housing with 25W/1W transmission power.

## Link-2 DSC VHF Radio

Advanced and affordable 5W/1W waterproof VHF handheld. A great way to make sure you get back to shore safely. Great as a backup radio, it features a built-in 12-channel GPS receiver, trackplotter, Great Circle navigation and more. Plus it floats! The 5W/1W handheld VHF is fully waterproof/submersible (JIS 7), includes all USA/Canada/International VHF voice and weather channels and features powerful 700mW Audio Output.



Link-8 DSC VHF	000-10789-001
Link-5 DSC VHF	000-10788-001
Link-2 DSC VHF/GPS	000-10782-001





## Radar Solutions HDS®

Revolutionary radar unlike anything else, with solid-state technology, these breakthrough radar solutions provide superior target detection and separation, ease of operation, and a new level of navigational safety.

### Broadband 4G™

**Beam Sharpening** - The world's first and only dome radar with unique Beam Sharpening to further enhance target separation for viewing razor-sharp images at every range – similar to a 3.5-foot open array pulse radar.

**50% More Range** - With 50% more true range than Broadband 3G™ Radar. Now you can see crystal-clear targets up to 32 nautical miles, and inside storm cells more than 17 nautical miles away.

**Features:** Unrivaled short-range performance and uncluttered detail with extremely low emissions and low power consumption. Includes InstantOn™ viewing and high-speed mode and features MARPA target tracking and dual guard zones.

### Broadband 3G™

**30% More Range** - A significant 30% increase in target detection compared to the original BR24 Broadband Radar™, while retaining the impressive short-range capability like all Broadband Radar™ domes. With a true detection range of up to 24 nautical miles, the Broadband 3G™ Radar is an excellent choice for performance and affordability for use on any fishing, cruising, sport and sail boat.

**Features:** 30% more range than our original B24 Broadband 3G Radar with a true detection range of up to 24 nautical miles.

### HD Digital

6kw open array radar with 1.8 degree horizontal beamwidth and 20 degree vertical beamwidth, with a range of up to 72nm. Choose from single or dual guard zones, employ MARPA target tracking and enjoy excellent situational awareness, thanks to chart overlay.

Broadband 4G™ Radar	000-10419-001
Broadband 3G™ Radar	000-10418-001
6 kW HD Radar Kit	TX06S-1

## NMEA 2000® Networking Solutions



### LMF Gauges

These in-dash digital gauges deliver precision and versatility in real-time display of vessel and engine data on the NMEA 2000® network, and are supported by the most extensive choices of affordable Lowrance® EP sensors.



### RC42 Rate Compass

NMEA 2000® network heading sensor to enable MARPA and radar/chart overlay for HDS® displays when used with Lowrance® Broadband or HD Digital Radar.



### NAIS-400 Class B AIS

Reduce your risk of collision with this latest generation, fully integrated, Class-B AIS transponder — essential for navigating today's busy shipping lanes and congested ports.



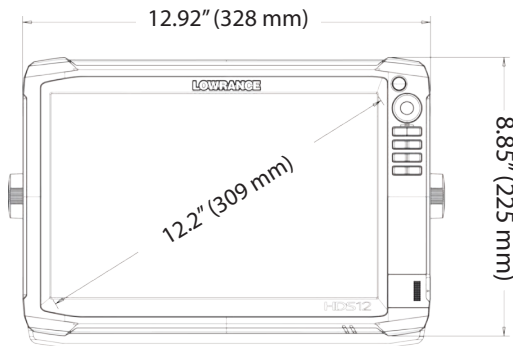
### Point-1 GPS/GLONASS

Integrated electronic compass provides 10Hz heading for chart stabilization and radar overlay, plus accurate vessel heading, even at low speeds.

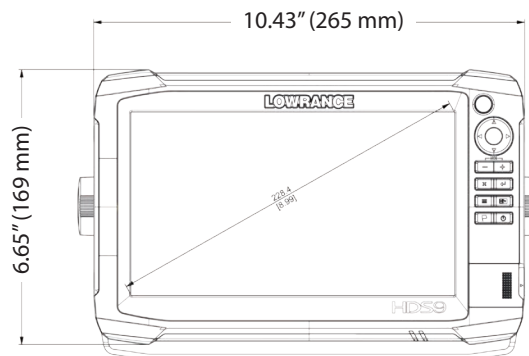
LMF-400 In-Dash Gauge	000-0049-541
LMF-200 In-Dash Gauge	000-0049-551
NAIS-400 System, Class B-AIS w/GPS Antenna	000-10980-001
NSPL-400 VHF Antenna Splitter	000-10982-001
Point-1 GPS/GLONASS Receiver	000-11047-001
RC42N Rate Compass w/16ft cable and Micro-C connector	000-10613-001
Fluid Level Sender	000-11518-001
Fuel Flow Sensor	000-11517-001
Fuel Data Manager	000-11522-001
Pressure Sensor	000-11523-001
Temperature Sensor	000-11520-001
Thru-Hull Temperature Sensor	000-11521-001
Speed Sensor	000-11519-001



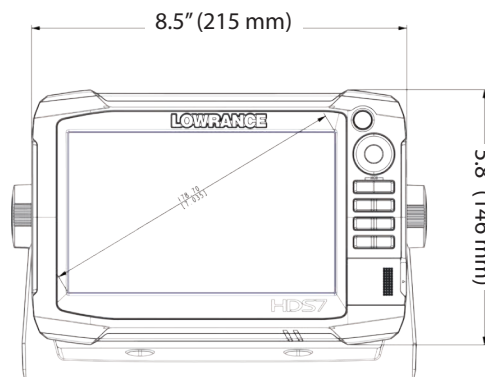
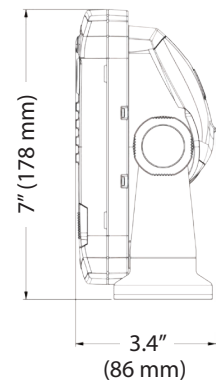
	HDS Gen 3 12"	HDS Gen 3 9"	HDS Gen 3 7"
Display	12" WVGA color TFT LCD	9" WVGA color TFT LCD	7" WVGA color TFT LCD
Resolution	1280w X 800h	800w X 480h	800w X 480h
Backlighting	LED	LED	LED
Power Output RMS	Max 500w	Max 500w	Max 500w
Operating Frequency	455/800kHz (StructureScan) Low/Mid/High CHIRP 50/83/200kHz (Broadband)	455/800kHz (StructureScan) Low/Mid/High CHIRP 50/83/200kHz (Broadband)	455/800kHz (StructureScan) Low/Mid/High CHIRP 50/83/200kHz (Broadband)
Depth Capability	5000ft (1524m) *depending on transducer	5000ft (1524m) *depending on transducer	5000ft (1524m) *depending on transducer
Operating Voltage	12vDC (10-17 vDC min-max)	12vDC (10-17 vDC min-max)	12vDC (10-17 vDC min-max)
GPS Receiver / Antenna	Internal 10Hz ultra-high-sensitivity WAAS + EGNOS + MSAS (optional external antenna)	Internal 10Hz ultra-high-sensitivity WAAS + EGNOS + MSAS (optional external antenna)	Internal 10Hz ultra-high-sensitivity WAAS + EGNOS + MSAS (optional external antenna)
Waypoint Management	5000 Waypoints, 200 Routes	5000 Waypoints, 200 Routes	5000 Waypoints, 200 Routes
Communication	NMEA 0183   NMEA 2000*   Ethernet	NMEA 0183   NMEA 2000*   Ethernet	NMEA 0183   NMEA 2000*   Ethernet
Languages	36 (Available in regional language packs)	36 (Available in regional language packs)	36 (Available in regional language packs)
Media Port	micro SD Slots (2)	micro SD Slots (2)	micro SD Slots (2)
Case Size	Width: 12.92" (328 mm) Height: 8.85" (225 mm) Depth: 3.35" (85 mm)	Width: 10.43" (265 mm) Height: 6.65" (169 mm) Depth: 3.39" (86mm)	Width: 8.48" (215 mm) Height: 5.76" (146 mm) Depth: 3.3" (84 mm)



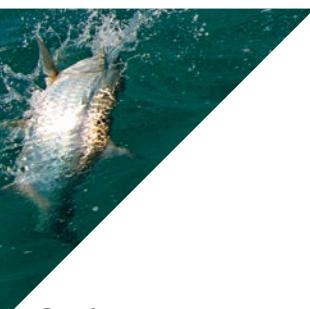
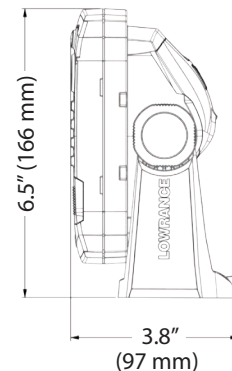
HDS Gen3 12"



HDS Gen3 9"



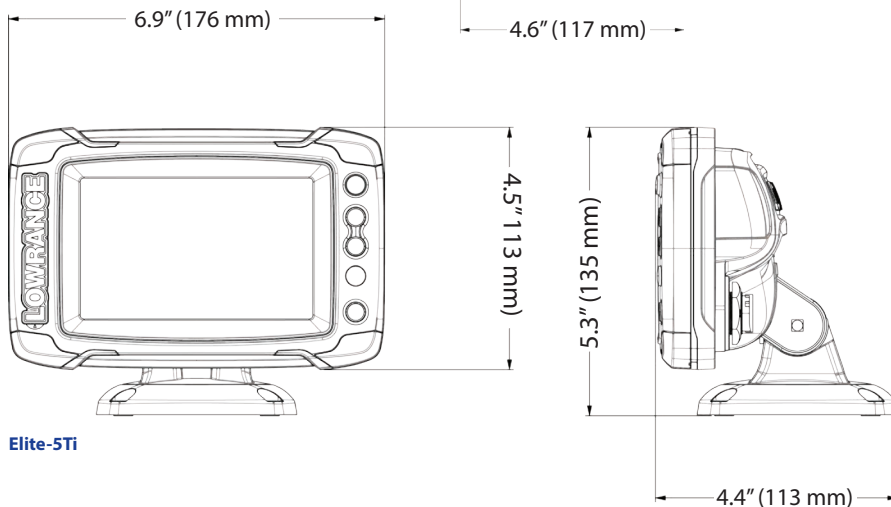
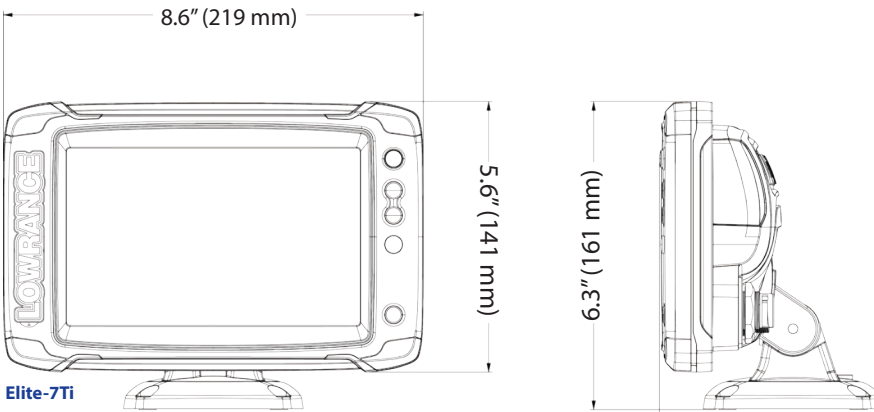
HDS Gen3 7"



# ELITE Ti SERIES



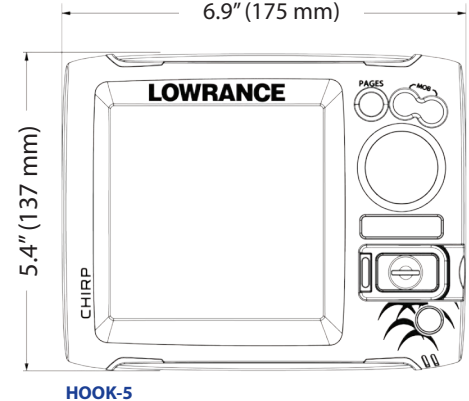
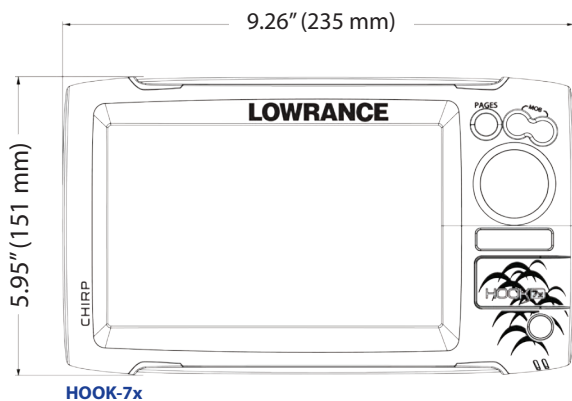
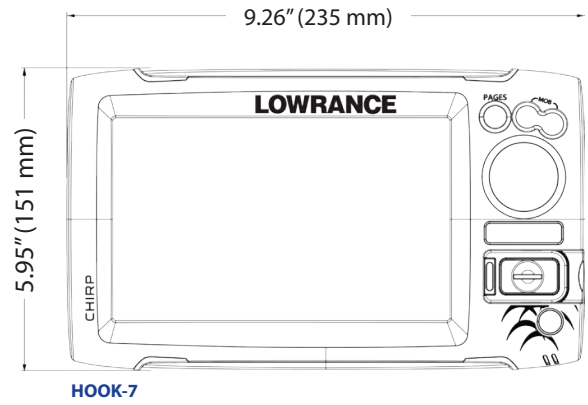
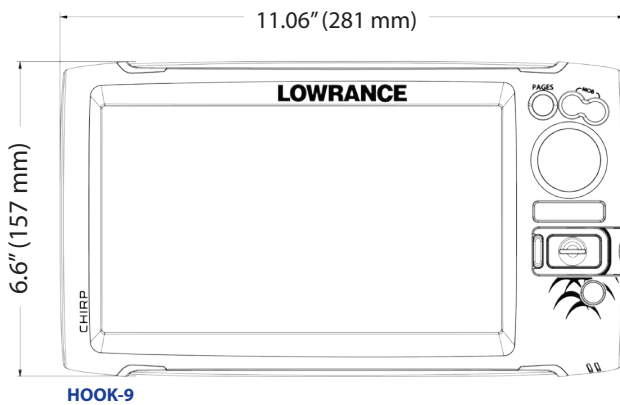
	Elite-7Ti	Elite-5Ti
Display	7" (178 mm) WVGA color TFT LCD	5" (127 mm) WVGA color TFT LCD
Resolution	800w X 480h	800w X 480h
Backlighting	LED	LED
Power Output RMS	Max 500w	Max 500w
Operating Frequency	Low/Mid/High CHIRP 50/83/200 kHz Broadband 455/800 kHz SideScan, DownScan imaging™	Low/Mid/High CHIRP 50/83/200 kHz Broadband 455/800 kHz SideScan, DownScan imaging™
Depth Capability	5000ft (1524m) *depending on transducer	5000ft (1524m) *depending on transducer
Operating Voltage	12vDC (10-17 vDC min-max)	12vDC (10-17 vDC min-max)
GPS Receiver / Antenna	Internal 10Hz ultra-high-sensitivity WAAS + EGNOS + MSAS (optional external antenna)	Internal 10Hz ultra-high-sensitivity WAAS + EGNOS + MSAS
Waypoint Management	5000 Waypoints, 200 Routes	5000 Waypoints, 200 Routes
Communication	NMEA 0183   NMEA 2000*	NMEA 0183
Languages	36 (Available in regional language packs)	36 (Available in regional language packs)
Media Port	micro SD Slot	micro SD Slot
Case Size	Width: 8.6" (219 mm) Height: 5.6" (141 mm) Depth: 2.5" (64 mm)	Width: 6.9" (176 mm) Height: 4.5" (113 mm) Depth: 2.4" (62 mm)



# HOOK SERIES

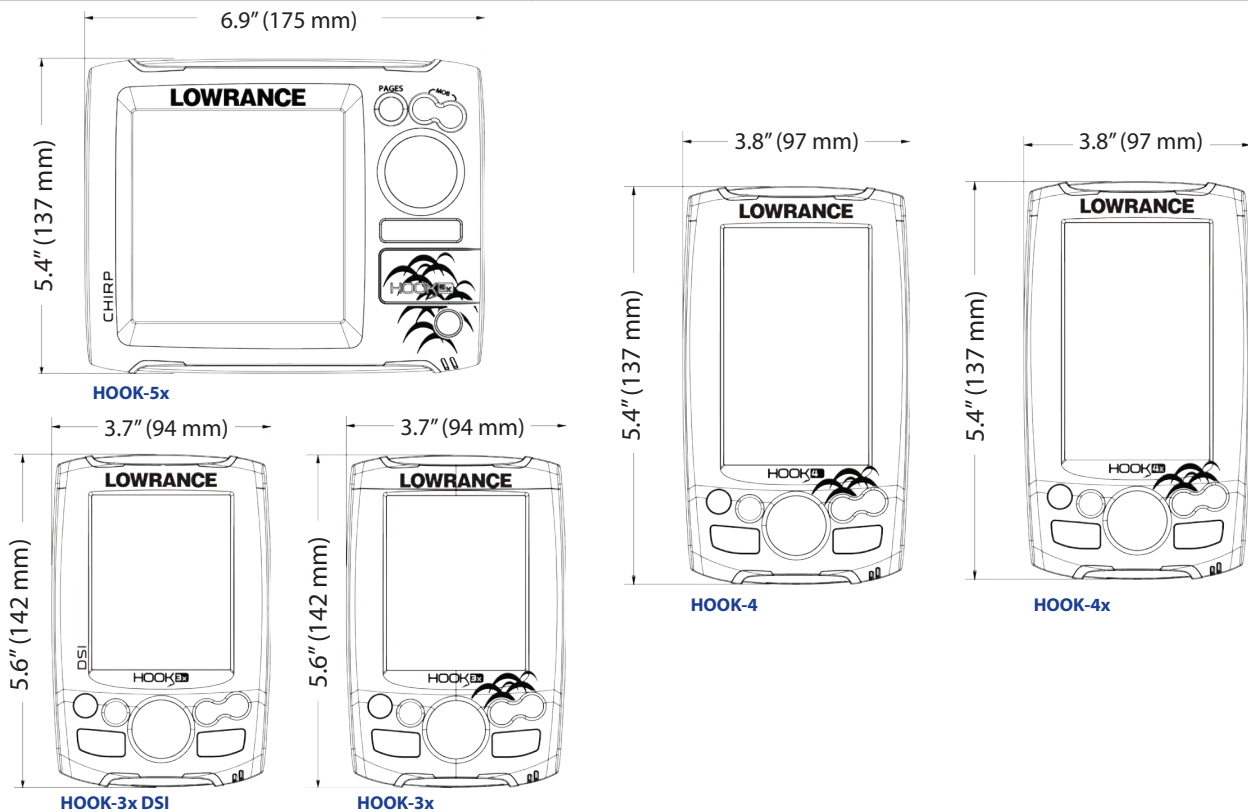


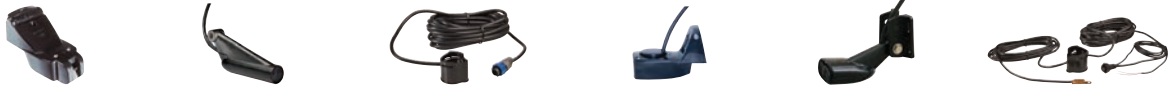
	<b>HOOK-9</b>	<b>HOOK-7</b>	<b>HOOK-7x</b>	<b>HOOK-5</b>
Display	9" (229mm)	7" (178mm)	7" (179mm)	5" (127mm)
Resolution	800w X 480h	800w X 480h	800w X 480h	480w X 480h
Backlighting	LED	LED	LED	LED
Power Output RMS	Max 500w	Max 500w	Max 500w	Max 500w
Operating Frequency	DownScan Imaging™: 455/800 kHz; CHIRP: Low, Med, High (CHIRP) Broadband: 50 kHz/83kHz/200kHz	DownScan Imaging™: 455/800 kHz; CHIRP: Low, Med, High (CHIRP) Broadband: 50 kHz/83kHz/200kHz	DownScan Imaging™: 455/800 kHz; CHIRP: Low, Med, High (CHIRP) Broadband: 50 kHz/83kHz/200kHz	DownScan Imaging™: 455/800 kHz; CHIRP: Low, Med, High (CHIRP) Broadband: 50 kHz/83kHz/200kHz
Depth Capability	DownScan Imaging™ at 455 kHz: Max 300 ft / 91 m CHIRP: High Range/200 kHz: 1,000 ft / 305 m CHIRP: Med Range/83 kHz: 1000 ft / 305 m CHIRP: Low Range/50 kHz: 3,000 ft/914 m	DownScan Imaging™ at 455 kHz: Max 300 ft / 91 m CHIRP: High Range/200 kHz: 1,000 ft / 305 m CHIRP: Med Range/83 kHz: 1000 ft / 305 m CHIRP: Low Range/50 kHz: 3,000 ft/914 m	DownScan Imaging™ at 455 kHz: Max 300 ft / 91 m CHIRP: High Range/200 kHz: 1,000 ft / 305 m CHIRP: Med Range/83 kHz: 1000 ft / 305 m CHIRP: Low Range/50 kHz: 3,000 ft/914 m	DownScan Imaging™ at 455 kHz: Max 300 ft / 91 m CHIRP: High Range/200 kHz: 1,000 ft / 305 m CHIRP: Med Range/83 kHz: 1000 ft / 305 m CHIRP: Low Range/50 kHz: 3,000 ft/914 m
Operating Voltage	12vDC (10-17 vDC min-max)	12vDC (10-17 vDC min-max)	12vDC (10-17 vDC min-max)	12vDC (10-17 vDC min-max)
GPS Receiver / Antenna	Internal high-sensitivity WAAS + EGNOS + MSAS	Internal high-sensitivity WAAS + EGNOS + MSAS	NA	Internal high-sensitivity WAAS + EGNOS + MSAS
Waypoint Management	3000 Waypoints, 100 Routes, up to 100 trails with 10,000 points per trail	3000 Waypoints, 100 Routes, up to 100 trails with 10,000 points per trail	NA	3000 Waypoints, 100 Routes, up to 100 trails with 10,000 points per trail
Communication (Optional NMEA 0183 cable required, part 000-0127-49)	NMEA 0183	NMEA 0183	NMEA 0183	NMEA 0183
Languages	31 – Available in regional packs	31 – Available in regional packs	31 – Available in regional packs	30 – Available in regional packs
Media Port	microSD Slot	microSD Slot	NA	microSD Slot
Case Size	Product Width: 11.06" (281 mm) Product Depth: 3.13" (80 mm) Product Height: 6.6" (157 mm)	Product Width: 9.26" (235 mm) Product Depth: 3.0" (76 mm) Product Height: 5.95" (151 mm)	Product Width: 9.26" (235 mm) Product Depth: 3.0" (76 mm) Product Height: 5.95" (151 mm)	Product Width: 6.9" (175 mm) Product Depth: 2.5" (63 mm) Product Height: 5.4" (137 mm)





HOOK-5x	HOOK-4	HOOK-4x	HOOK-3x	HOOK-3x DSI
5" (127mm)	4" (109mm)	4" (109mm)	3.5" (89mm)	3.5" (89mm)
480w X 480h	480w X 272h	480w X 272h	320w X 240h	320h X 240h
LED	LED	LED	LED	LED
Max 500w	Max 500w	Max 500w	Max 100w	Max 500w
DownScan Imaging™: 455/800 kHz; CHIRP: Low, Med, High (CHIRP) Broadband: 50 kHz/83kHz/200kHz	DownScan Imaging™: 455/800 kHz; CHIRP: Low, Med, High (CHIRP) Broadband: 50 kHz/83kHz/200kHz	DownScan Imaging™: 455/800 kHz; CHIRP: Low, Med, High (CHIRP) Broadband: 50 kHz/83kHz/200kHz	83/200 kHz	83/200 kHz
DownScan Imaging™ at 455 kHz: Max 300 ft / 91 m CHIRP: High Range/200 kHz: 1,000 ft / 305 m CHIRP: Med Range/83 kHz: 1000 ft / 305 m CHIRP: Low Range/50 kHz: 3,000 ft/914 m	DownScan Imaging™ at 455 kHz: Max 300 ft / 91 m CHIRP: High Range/200 kHz: 1,000 ft / 305 m CHIRP: Med Range/83 kHz: 1000 ft / 305 m CHIRP: Low Range/50 kHz: 3,000 ft/914 m	DownScan Imaging™ at 455 kHz: Max 300 ft / 91 m CHIRP: High Range/200 kHz: 1,000 ft / 305 m CHIRP: Med Range/83 kHz: 1000 ft / 305 m CHIRP: Low Range/50 kHz: 3,000 ft/914 m	800 ft / 244 m @ 83/200 kHz	300 ft / 91 m @ 455/800 kHz
12vDC (10-17 vDC min-max)	12vDC (10-17 vDC min-max)	12vDC (10-17 vDC min-max)	12vDC (10-17 vDC min-max)	12vDC (10-17 vDC min-max)
NA	Internal high-sensitivity WAAS + EGNOS + MSAS	NA	NA	NA
NA	3000 Waypoints, 100 Routes, up to 100 trails with 10,000 points per trail	NA	NA	NA
NMEA 0183	NMEA 0183	NA	NA	NA
30 – Available in regional packs	30 – Available in regional packs	30 – Available in regional packs	11 – Available in regional packs	11 – Available in regional packs
NA	microSD Slot	NA	NA	NA
Product Width: 6.9" (175 mm) Product Depth: 2.5" (63 mm) Product Height: 5.4" (137 mm)	Product Width: 3.8" (97 mm) Product Depth: 2.5" (63 mm) Product Height: 5.4" (137 mm)	Product Width: 3.8" (97 mm) Product Depth: 2.5" (63 mm) Product Height: 5.4" (137 mm)	Product Width: 3.7" (94 mm) Product Depth: 1.85" (47 mm) Product Height: 5.6" (142 mm)	Product Width: 3.7" (94 mm) Product Depth: 1.85" (47 mm) Product Height: 5.6" (142 mm)





transom mounts

P66	DSI Skimmer	PD-WBL	TM150 Medium	HST-DFSBL	PDRT-WSU
Plastic Transom Mount	Dual Frequency DSI Skimmer	Trolling Motor Mount or Shoot Thru	CHIRP Sonar Transom Mount	Transom Mount Skimmer	Pod Style Transducer
50/200 kHz	455/800 kHz Built-in Temp	83/200 kHz No Temp Blue 7 Pin Connector	85-145 kHz CHIRP Range	50/200 kHz Blue 7 Pin Connector	83/200 kHz Remote / Temp / 20ft Cable
000-11062-001	000-10260-001	000-0106-73	000-11302-001	000-0106-77	000-0106-69

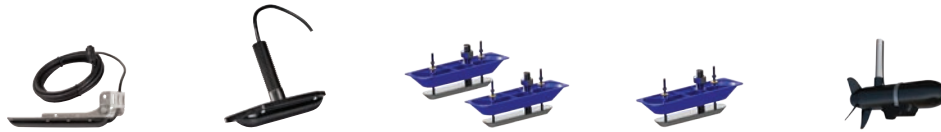
High-speed Skimmer® transom-mount transducers slice through water without sonar-interfering bubbles for ideal sounding performance and cleanest sounder returns. Each have a built-in sensor for water-temp readings, plus a unique “kick-up” transom-mount bracket helps prevent accidental strike damage.



thru-hull models

P319 Plastic	P79 Plastic 600W	B164	B60	B150 Medium	Bronze HDI
Low Profile 600W Thru-Hull	In-Hull Depth Only	Bronze Low Profile Thru-Hull 1kW	Bronze 600W Thru-Hull	Thru-Hull w/ Tilt Selection	Thru-Hull
Depth/Temp 50/200 kHz Blue 7Pin Connector	50/200 kHz Blue 7 Pin Connector	50/200 kHz 22/20°, 6/6° Array Beamwidths & 20° Tilt Temp-12m	50/200 kHz Depth/Temp Blue 7 Pin Connector 12° Tilt   20° Tilt	CHIRP Sonar w/ Tilt Selection	50/200 kHz w/ Diplexer 50 kHz @ 19 deg 200 kHz @ 6 deg Blue 7 Pin Connector
000-0136-02	000-0136-03	000-10247-001	12° - 000-0136-04 20° - 000-00021-001	0° - 000-11456-001 12° - 000-11457-001 20° - 000-11458-03	0° - 001-11133-001 12° - 001-11134-001 20° - 001-11135-001

Lowrance® HDS® is fully compatible with a wide selection of AIRMAR® transducers made for ultimate deep-sounding performance while reducing or eliminating drag.



structure models

StructureScan® HD	Plastic StructureScan® HD	Dual Stainless Steel StructureScan® HD	Stainless Steel StructureScan® HD	SpotlightScan® Trolling Motor
Transom Mount	Thru-Hull Transducer	Transducer w/ Y Cable	Single Transducer	Trolling Motor Transducer
455/800 kHz Built-in Temp	455/800 kHz Built-in Temp	455/800 kHz Built-in Temp	455/800 kHz Built-in Temp	455/800 kHz Built-in Temp
000-10802-001	000-11029-001	000-11460-001	000-11459-001	000-11303-001

The only sonar-imaging solution with dedicated side- and down-looking scans for the best possible views around and below your boat.



transom mounts



HST-WSBL	TM260	PD-WSU	HST-WSU	PDT-WBL	PDT-WSU
Transom Mount Skimmer Depth	Plastic Transom Mount	Pod Style Transducer	Skimmer Transducer	Pod Style Transducer	Pod Style Transducer
83/200 kHz Blue 7 Pin Connector / w/Temp	50/200 kHz w/ Diplexer 50 kHz @ 19 deg 200 kHz @ 6 deg Blue 7 Pin Connector	83/200 kHz No Temp / 20ft Cable	83/200 kHz w/ Temp / 20ft Cable	83/200 kHz Blue 7 Pin Connector	83/200 kHz w/ Temp / 10ft Cable
000-0106-72	000-10116-001	000-0106-52	000-0106-48	000-0106-74	000-0106-50

thru-hull models



M260 1kW	B744V	B258	B260
In-Hull Depth Only Tank Kit	Bronze 600W Thru-Hull Depth/Speed/Temp HS	Bronze 1kW Thru-Hull Depth/Temp HS	Bronze 1kW Thru-Hull Depth/Temp HS
50/200 kHz Blue 7 Pin Connector	50/200 kHz HS Fairing Block Blue 7 Pin Connector	50/200 kHz HS Fairing Block Blue 7 Pin Connector	50/200 kHz HS Fairing Block Blue 7 Pin Connector
000-0106-91	000-0136-05	000-0136-00	000-0106-82

transom mounts



HDI Skimmer

HDI Skimmer

Low/High  
9-Pin Connector  
Built-in Temp

HDI 000-12569-001  
M/H 000-12570-001



TotalScan

Transom  
Mounted

83/200 kHz  
CHIRP 455/800 kHz  
Built-in Temp

000-12568-001

Visit [store.navico.com](http://store.navico.com) to purchase Lowrance accessories.

[www.hicorpinc.com/navicoretail](http://www.hicorpinc.com/navicoretail)

CREWNECK LONG-SLEEVE TSHIRT



SHOP  
**LOWRANCE**<sup>®</sup>

TOOL BAG



HOODED SWEATSHIRT



HAT

Get the latest apparel and gear at the official Lowrance<sup>®</sup> online store.



# LOWRANCE®

## FIND. NAVIGATE. DOMINATE.

Telephone: 1.800.628.4487

[www.lowrance.com](http://www.lowrance.com)

Products, features and specifications subject to change without notice.  
© 2016 Navico® 985-11130-001



[facebook.com/lowrance](https://facebook.com/lowrance)



[twitter.com/lowrancefishing](https://twitter.com/lowrancefishing)



[youtube.com/user/lowrance](https://youtube.com/user/lowrance)



[instagram.com/lowrancefishing](https://instagram.com/lowrancefishing)